



UNX10080

**Application:**

Entertainment Venue, Logistics, Exhibition Hall, Tourist Attractions, Shopping Mall, Churches, Museum, Aviation, Stadium, Terminal, Ports, Railway Station, Metro, Customs, Office Building, Campus, Hotels, Factories, Sports Center, etc.

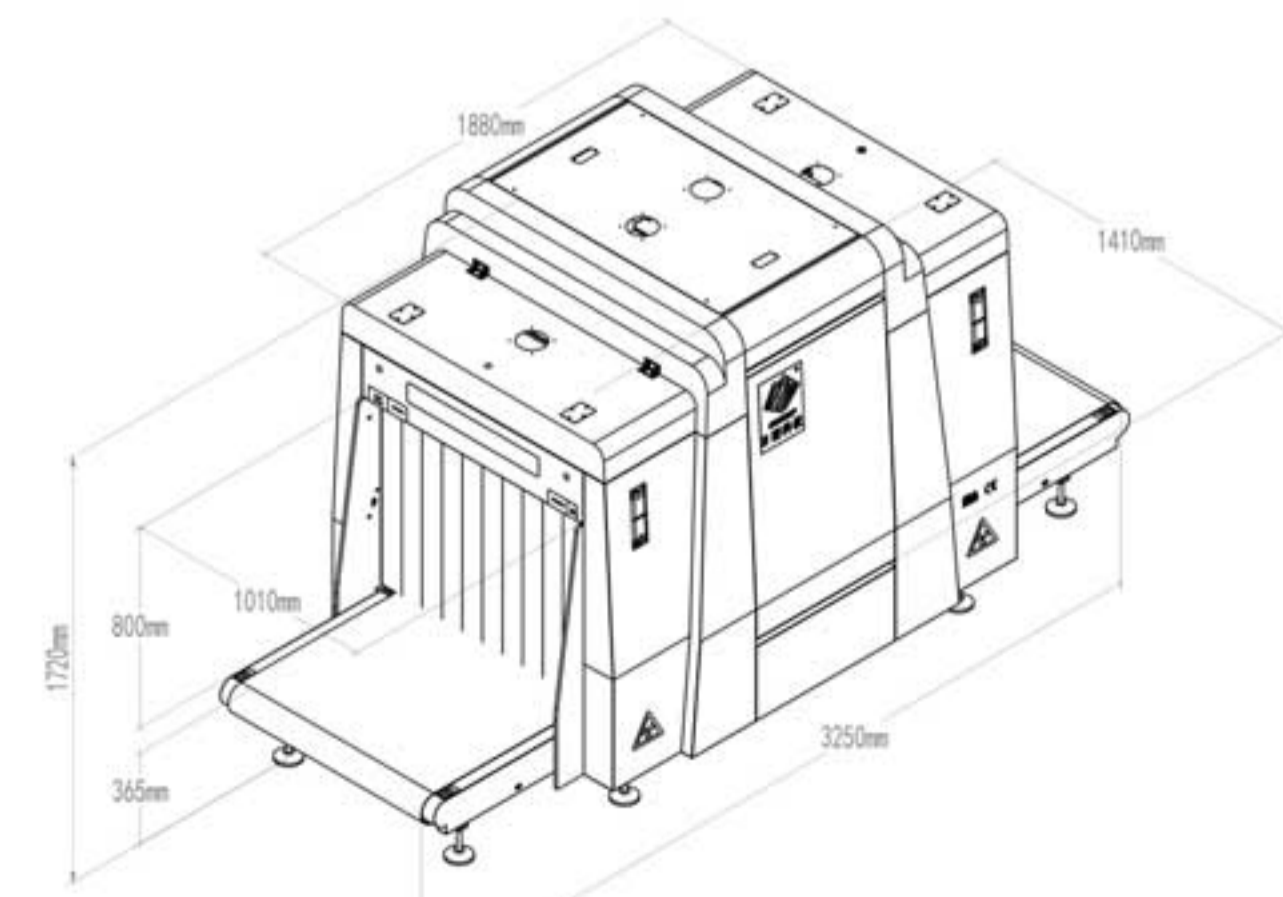
**Product Features:**

- Inspection Speed of 0.22m/s (0.4m/s, 0.67m/s optional)
- Steel penetration of 34mm
- Max. inspection object size of 1000mm×800mm
- Remote technical support
- In compliance with international safety standards, X-ray dose rate is close to naturally occurring radiation
- Accurate material recognition: Orange for organic, blue for inorganic, green for metal and compound
- Affiliated explosives and narcotics detection enables auto-alert upon the presence of explosives and narcotics

**Technical Specifications:**

X-ray Baggage Scanner for Courier/Logistics/Terminal/Metro	
<b>System Parameters</b>	
Dimensions	3250mmx1410mmx1720mm(L*W*H)
Tunnel Size	1000x800mm
Weight	1300kg
Conveyor Height	330±30mm
Inspection Speed	0.22m/s (0.4m/s,0.67m/s optional)
Max. Load Weight	200kg
Resolution	40AWG (φ=0.0787mm metal wire)
Penetration	40mm (Typical) 34mm (Standard)
Radiation Safety	Meets film safety ISO 1600
Radiation Leakage	< 0.12μSv/h (5cm away from the housing)
<b>X-ray Generator</b>	
Anode Voltage	160kV
Cooling•Cycle	Sealed Oil Cooling & 100%
Single Inspection Dose	< 2.1 μGy
<b>Imaging System</b>	
X-ray Detector	Photodiode
Gray Level	4096
Monitor	19"
<b>Image Processing System</b>	
Image Enhancement	*Black and white *Inverse *High-energy penetration *Low-energy penetration *Super-enhancement *Elimination of organic or inorganic substances *Variable absorption rate *Pseudo-color *Arbitrary selection (user selected ROI zoom) (64X image magnification/no loss of resolution)
Recognition	Orange for organic matter, blue for inorganic, green for metal and compound
Image Playback	50 inspected images could be replayed
Storage Capacity	No less than 100 thousand pieces of image
<b>Additional Features</b>	
*Date/time display *Baggage counter *User management *System operation clock	
<b>Standard Functions</b>	
*X-ray on clock *POST *Image storage & retrieval *Diagnosis & maintenance *Dual-scan *Image recognition training *Cloud data storage and analysis	
<b>Optional Functions</b>	
*High density area alarm *Explosives and drugs auxiliary examination *Dangerous goods image insertion	
<b>Installation Requirements</b>	
<b>Operation/Storage Temperature</b>	
0~40°C/-5~50°C	
<b>Humidity</b>	
10%~90% (No condensation)	
<b>Power Supply</b>	
220VAC±5% 50Hz/60Hz	

**Machine Footprint:**



Note: The above pictures and parameters for reference only, the actual quotation and sales contract shall prevail